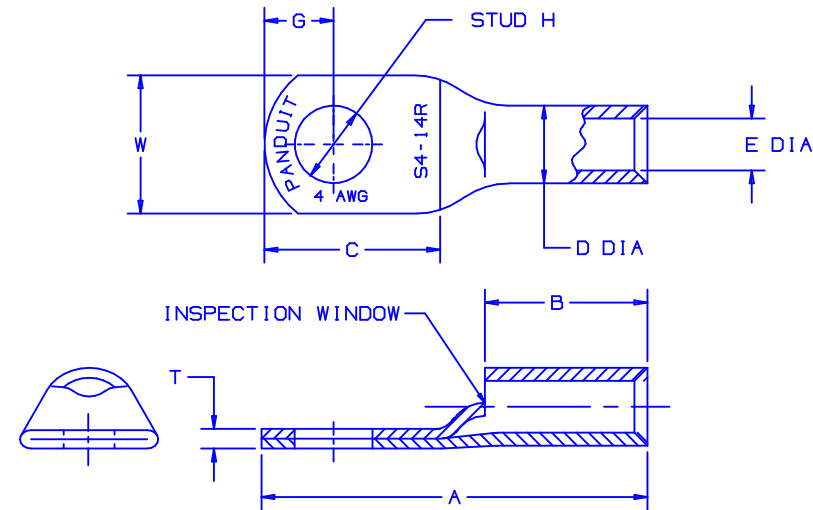


PART #	WIRE	WIRE STRIP LENGTH	STUD HOLE	A ±.1	B ±.08	D ±.01	E ±.01	G ±.1	C ±.1	T ±.03	W ±.03
S8-10R	8	7/16	#10	1.1	.40	.27	.18	.25	.56	.08	.41
S8-14R	8	7/16	1/4	1.2	.40	.27	.18	.25	.62	.07	.48
S8-56R	8	7/16	5/16	1.3	.40	.27	.18	.33	.75	.05	.60
S8-38R	8	7/16	3/8	1.4	.40	.27	.18	.36	.84	.05	.60
S6-10R	6	1/2	#10	1.2	.48	.31	.22	.25	.56	.09	.45
S6-14R	6	1/2	1/4	1.3	.48	.31	.22	.25	.62	.08	.48
S6-56R	6	1/2	5/16	1.4	.48	.31	.22	.32	.74	.07	.56
S6-38R	6	1/2	3/8	1.5	.48	.31	.22	.36	.84	.06	.62
S4-10R	4	1/2	#10	1.2	.48	.38	.28	.25	.56	.09	.55
S4-14R	4	1/2	1/4	1.3	.48	.38	.28	.25	.62	.09	.55
S4-56R	4	1/2	5/16	1.4	.48	.38	.28	.32	.74	.09	.55
S4-38R	4	1/2	3/8	1.5	.48	.38	.28	.36	.84	.07	.62
S2-10R	2 & 1	5/8	#10	1.6	.59	.47	.36	.36	.74	.11	.70
S2-14R	2 & 1	5/8	1/4	1.6	.59	.47	.36	.36	.74	.11	.70
S2-56R	2 & 1	5/8	5/16	1.7	.59	.47	.36	.36	.80	.11	.70
S2-38R	2 & 1	5/8	3/8	1.7	.59	.47	.36	.36	.83	.11	.70
S2-12R	2 & 1	5/8	1/2	1.9	.59	.47	.36	.47	1.07	.09	.79
S1/0-14R	1/0	5/8	1/4	1.6	.58	.52	.39	.36	.74	.12	.76
S1/0-56R	1/0	5/8	5/16	1.7	.58	.52	.39	.36	.80	.12	.76
S1/0-38R	1/0	5/8	3/8	1.7	.58	.52	.39	.37	.84	.12	.76
S1/0-12R	1/0	5/8	1/2	1.9	.58	.52	.39	.47	1.07	.12	.82
S2/0-14R	2/0	11/16	1/4	1.9	.66	.58	.45	.45	.90	.13	.85
S2/0-56R	2/0	11/16	5/16	1.9	.66	.58	.45	.45	.90	.13	.85
S2/0-38R	2/0	11/16	3/8	1.9	.66	.58	.45	.45	.90	.13	.85
S2/0-76R	2/0	11/16	7/16	2.1	.66	.58	.45	.51	1.10	.13	.85
S2/0-12R	2/0	11/16	1/2	2.1	.66	.58	.45	.51	1.10	.13	.85
S3/0-14R	3/0	7/8	1/4	2.1	.83	.64	.51	.45	.90	.13	.96
S3/0-56R	3/0	7/8	5/16	2.1	.83	.64	.51	.45	.90	.13	.96
S3/0-38R	3/0	7/8	3/8	2.1	.83	.64	.51	.45	.90	.13	.96
S3/0-76R	3/0	7/8	7/16	2.3	.83	.64	.51	.51	1.10	.13	.96
S3/0-12R	3/0	7/8	1/2	2.3	.83	.64	.51	.51	1.10	.13	.96
S4/0-56R	4/0	15/16	5/16	2.3	.91	.71	.57	.57	1.04	.14	1.06
S4/0-38R	4/0	15/16	3/8	2.3	.91	.71	.57	.57	1.04	.14	1.06
S4/0-76R	4/0	15/16	7/16	2.5	.91	.71	.57	.57	1.16	.14	1.06
S4/0-12R	4/0	15/16	1/2	2.5	.91	.71	.57	.57	1.16	.14	1.06
S250-56R	250	1-1/16	5/16	2.5	1.01	.77	.63	.57	1.04	.14	1.17
S250-38R	250	1-1/16	3/8	2.5	1.01	.77	.63	.57	1.04	.14	1.17
S250-76R	250	1-1/16	7/16	2.6	1.01	.77	.63	.57	1.16	.14	1.17
S250-12R	250	1-1/16	1/2	2.6	1.01	.77	.63	.57	1.16	.14	1.17



LISTED
587H
E52164

CERTIFIED
LR31212

NOTES:

1. MATERIAL: HIGH CONDUCTIVITY SEAMLESS COPPER TUBING
2. PLATING: TIN
3. UL LISTED WITH CODE COPPER CONDUCTORS FOR APPLICATIONS UP TO 35KV, FILE E52164
4. CONSULT CABLE MANUFACTURER FOR VOLTAGE STRESS RELIEF INSTRUCTIONS WITH APPLICATIONS GREATER THEN 2000 VOLTS
5. CSA CERTIFIED FOR APPLICATIONS UP TO 600V, FILE LR31212
6. FOR USE WITH COPPER CABLES ONLY

C41178_10

10	4/04	JHNU		REMOVED AN-4 AND NAVY 40-50 FROM PART.			
09	4/02	SAB	RWS	PARTS ON THIS DWG. HAVE BEEN REDESIGNED	10159	JAC	TRO
08	4/01	BDK	SKB	FILESPEC WAS N41178CA_PCD_07 ADDED END VIEW	09360	JAC	CJZ
07	12/00	EJS	SKB	ADDED TOLERANCE TO THE DIMENSIONS	08921	JAC	CCH
REV	DATE	BY	CHK	DESCRIPTION	ECN #	CUST	PM



CORP.

TINLEY PARK, ILLINOIS

TUBULAR TERMINALS
CUSTOMER DRAWING

DRAWN BY EJD	CHK'D WJB	SCALE NONE	DRAWING NO. C41178
-----------------	--------------	---------------	-----------------------